

# HIGH TEMPERATURE COMPENSATED PRESSURE TRANSDUCER

## 168°C (335°F) FOR HYDRAULIC APPLICATIONS

### PX32 Series

mV/V Output

0-20 to 2500 psi

0-1.4 to 0-170 bar

1 bar = 14.5 psi

1 kg/cm<sup>2</sup> = 14.22 psi

1 atmosphere = 14.7 psi = 29.93

inHg = 760.2 mmHg = 1.014 bar

Starts at  
**\$420**



- ✓ High Compensated Temperature Range -40 to 168°C (-40 to 335°F)
- ✓ All Stainless Steel Construction
- ✓ Available in Vented Gage, Sealed Gage, and Absolute Pressure Models

OMEGA's PX32 is a rugged, high-temperature transducer. Its all stainless steel construction and high-temperature operating range make it ideal for measuring hydraulic pressure on industrial and off-road equipment or in industrial applications in which high temperatures are encountered. The PX32 is available in gage, absolute, or sealed models. An environmentally sealed, twist-lock connector is standard.

### SPECIFICATIONS

**Excitation:** 10 V AC/DC (15 V max)

**Output:** 3 mV/V ±1%

**Input Resistance:** 360 Ω min

**Output Resistance:** 350 ±5 Ω

**Zero Balance:** ±2% FSO

**Accuracy:** 0.25% linearity, hysteresis and repeatability combined

**Agency Approval:** FM Intrinsically Safe IS/I.II.III/1/CDEFG – standard

**Operating Temp Range:**

-54 to 168°C (-65 to 335°F)

**Compensated Temp Range:**

-40 to 168°C (-40 to 335°F)

### Thermal Effects:

Span: 0.008% rdg/°F

Zero: 0.008% FSO/°F

### Proof Pressure:

200% of rated pressure

### Burst Pressure:

300% of rated pressure

**Wetted Parts:** 17-4 PH stainless steel

### Pressure Port:

½-27 NPT internal

### Electrical Connection:

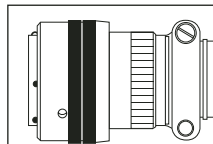
PT1H-10-6P (or equal)

### Mating Connector:

PT06F-10-6S (not included)



WIRING A = +EX  
B = +OUT  
C = -OUT  
D = -EX



Mating Connector  
PT06F-10-6S  
\$26.50



PX32B1-100GV, \$420, shown larger than actual size.

### MOST POPULAR MODELS HIGHLIGHTED!

### To Order (Specify Model Number)

RANGE	MODEL NO.	PRICE	COMPATIBLE METERS*
<b>ABSOLUTE PRESSURE (All Ranges Available in Absolute Pressure)</b>			
0 to 25 psi    0 to 1.7 bar	PX32B1-025AV	\$430	DP41-S, DP25B-S
0 to 50 psi    0 to 3.4 bar	PX32B1-050AV	430	DP41-S, DP25B-S
0 to 100 psi    0 to 6.9 bar	PX32B1-100AV	430	DP41-S, DP25B-S
<b>GAGE PRESSURE (All Ranges Also Available in Sealed Gage Pressure)</b>			
0 to 20 psi    0 to 1.4 bar	PX32B1-020GV	\$420	DP41-S, DP25B-S
0 to 30 psi    0 to 2.1 bar	PX32B1-030GV	420	DP41-S, DP25B-S
0 to 50 psi    0 to 3.4 bar	PX32B1-050GV	420	DP41-S, DP25B-S
0 to 100 psi    0 to 6.9 bar	PX32B1-100GV	420	DP41-S, DP25B-S
0 to 250 psi    0 to 17.2 bar	PX32B1-250GV	420	DP41-S, DP25B-S
0 to 300 psi    0 to 20.7 bar	PX32B1-300GV	420	DP41-S, DP25B-S
0 to 500 psi    0 to 34.5 bar	PX32B1-500GV	420	DP41-S, DP25B-S
0 to 1000 psi    0 to 68.9 bar	PX32B1-1KGV	420	DP41-S, DP25B-S
0 to 1200 psi    0 to 82.7 bar	PX32B1-1.2KGV	485	DP41-S, DP25B-S
0 to 2500 psi    0 to 172 bar	PX32B1-2.5KGV	485	DP41-S, DP25B-S

Comes with 5-point calibration.

\* See section D for compatible meters.

Metric ranges available – see Metric Section.

To order absolute pressure models, replace "G" in model number with "A" and add \$10.

To order sealed gage models, replace "G" in model number with "S" (no extra charge).

**Ordering Examples:** PX32B1-300SV, 300 psi sealed gage transducer, \$420.

PX32B1-1.2KGV, 1200 psi gage pressure transducer, \$485. PX32B1-025AV, 25 psi absolute pressure transducer, \$430.

### ACCESSORY

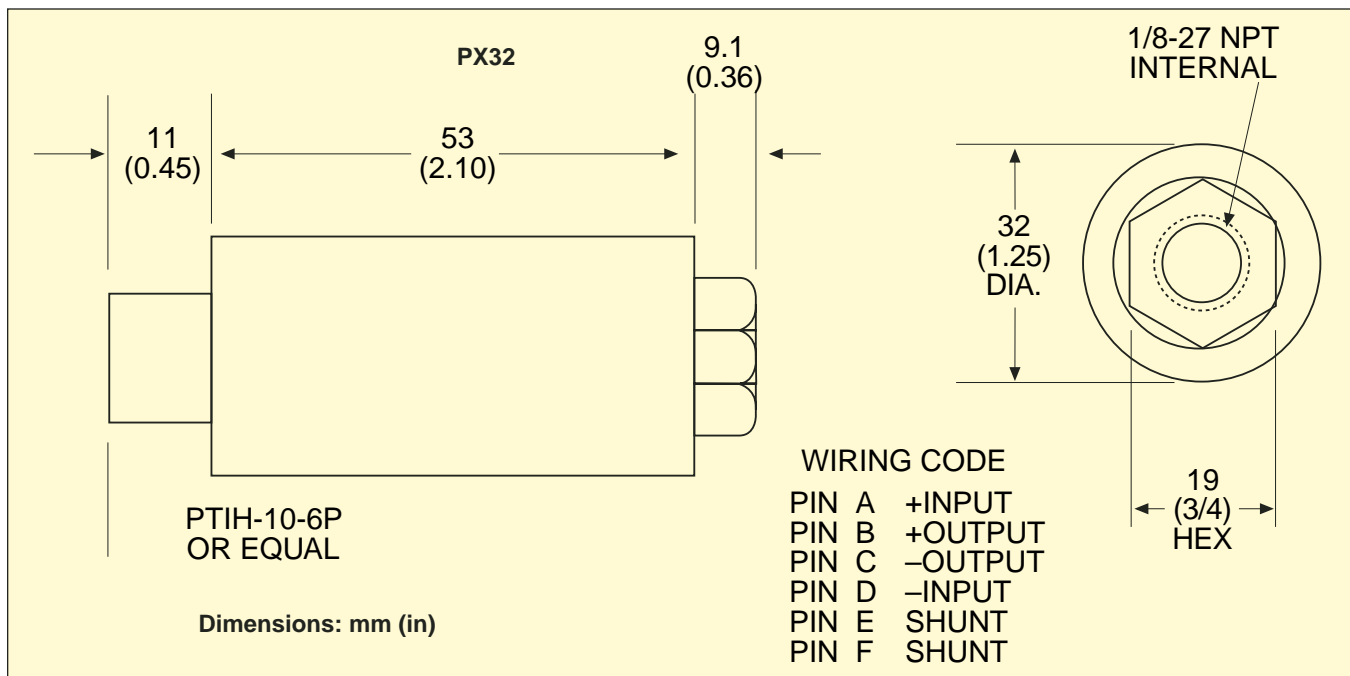
MODEL NO.	PRICE	DESCRIPTION
GE-2530	\$155	Reference Book: Control Valves



# HIGH TEMPERATURE COMPENSATED PRESSURE TRANSDUCER



MILLIVOLT OUTPUT  
PRESSURE TRANSDUCERS  
**B**



DP25B-S, \$245, see page D-23.



DPiS8/CNiS8 meter/controller, \$275/345, see page D-13.



DP41B, \$595, see page D-35.

# omega.co.uk<sup>®</sup>

Your One-Stop Source for Process Measurement and Control!

Freephone 0800 488 488 | International +44(0) 161 777 6622 | Fax +44(0) 161 777 6622 | Sales@omega.co.uk

[www.omega.co.uk](http://www.omega.co.uk)



#### UNITED STATES

[www.omega.com](http://www.omega.com)

1-800-TC-OMEGA  
Stamford, CT.

#### UNITED KINGDOM

[www.omega.co.uk](http://www.omega.co.uk)

Manchester, England  
0800-488-488  
+44-(0)161-777-6611

#### CANADA

[www.omega.ca](http://www.omega.ca)

Laval(Quebec)  
1-800-TC-OMEGA

#### FRANCE

[www.omega.fr](http://www.omega.fr)

0800-466-342

#### GERMANY

[www.omega.de](http://www.omega.de)

Deckenfronn, Germany  
0800-8266342

#### BENELUX

[www.omega.nl](http://www.omega.nl)

0800-099-33-44



## More than 100,000 Products Available!

### • Temperature

Calibrators, Connectors, General Test and Measurement Instruments, Handheld Instruments for Temperature Measurement, Ice Point References, Indicating Labels, Crayons, Cements and Lacquers, Infrared Temperature Measurement Instruments, Recorders, Relative Humidity Measurement Instruments, PT100 Probes, PT100 Elements, Temperature & Process Meters, Timers and Counters, Temperature and Process Controllers and Power Switching Devices, Thermistor Elements, Probes and Assemblies, Thermocouples, Thermowells and Head and Well Assemblies, Transmitters, Thermocouple Wire, RTD Probes

### • Flow and Level

Air Velocity Indicators, Doppler Flowmeters, Level Measurement, Magnetic Flowmeters, Mass Flowmeters, Pitot Tubes, Pumps, Rotameters, Turbine and Paddle Wheel Flowmeters, Ultrasonic Flowmeters, Valves, Variable Area Flowmeters, Vortex Shedding Flowmeters

### • pH and Conductivity

Conductivity Instrumentation, Dissolved Oxygen Instrumentation, Environmental Instrumentation, pH Electrodes and Instruments, Water and Soil Analysis Instrumentation

### • Data Acquisition

Communication Products and Converters, Data Acquisition and Analysis Software, Data Loggers Plug-in Cards, Signal Conditioners, USB, RS232, RS485, Ethernet and Parallel Port Data Acquisition Systems, Wireless Transmitters and Receivers

### • Pressure, Strain and Force

Displacement Transducers, Dynamic Measurement Force Sensors, Instrumentation for Pressure and Strain Measurements, Load Cells, Pressure Gauges, Pressure Reference Section, Pressure Switches, Pressure Transducers, Proximity Transducers, Regulators, Pressure Transmitters, Strain Gauges, Torque Transducers, Valves

### • Heaters

Band Heaters, Cartridge Heaters, Circulation Heaters, Comfort Heaters, Controllers, Meters and Switching Devices, Flexible Heaters, General Test and Measurement Instruments, Heater Hook-up Wire, Heating Cable Systems, Immersion Heaters, Process Air and Duct, Heaters, Radiant Heaters, Strip Heaters, Tubular Heaters